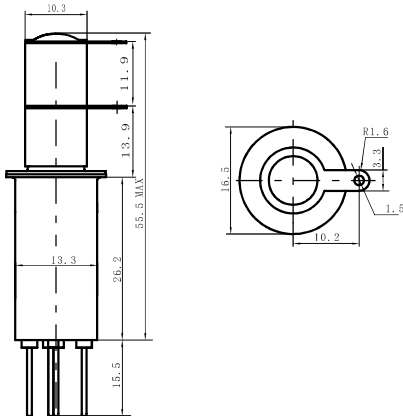
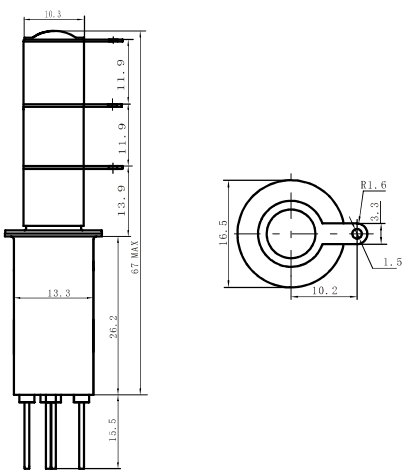


MGV41P
(latching variant of MGV41A\B)



MGV41R
(latching variant of MGV41C)



Serial Number

MGV-41 P 3 3 4

Type

Contact Form:
P=SPST-Latching
R=SPDT-Latching

Mounting:
2 - Flanged
4 - Standard

HV contacts:
3 - Solder conn.

Coil Voltage:
3=26,5VDC (Wire)

- Compact design
- Latching actuator for low power consumption
- Widely used in antenna coupler applications
- Vacuum dielectric for power switching low current loads.

Main parameters		Units	MGV41P	MGV41R
Contact Arrangement			SPST-Latch.	SPDT-Latch.
Contact Form			P	R
Voltage, Test Max., Contacts & to Base (15 µA Leakage Max., dc or 60Hz)		kV Peak	6	6
Voltage, Operating Max., Contacts & to Base (15 µA Leakage Max.)	0-60Hz	kV Peak	5	5
	2,5 MHz	kV Peak	4,5	4,0
	16 MHz	kV Peak	3,5	3,2
	32 MHz	kV Peak	2,8	2,5
Current, Continuous Carry Max	0-60Hz	A	25	25
	2,5 MHz	A	20	20
	16 MHz	A	13	13
	32 MHz	A	10	10
Coil Hi-Pot (V RMS, 60 Hz)		V	500	500
Capacitance	Across Open Cont.	pF	1,2	1,6
	Contacts to Ground	pF	1,2	1,6
Resistance, Contact Max @ 1A, 28 Vdc		Ohms	0,02	0,02
Operate Time		ms	6	6
Release Time		ms	N.A.	N.A.
Temperature Ambient Operating		°C	-55 +125	-55 +125
Shock, Operating, 1/2 Sine11ms (Peak)		G	50	50
Vibration, Operating, Sine (55-2000 Hz Peak)		G	10	10
Life, Mechanical		cycles	1 million	1 million
Weight, Nominal		g	28.5	28.5

Coil Ratings

Nominal, Volts dc		26,5	
Pick-up, Volts dc, Max.		16	
Drop-Out, Volts dc		N.A.	
Coil Resistance (Ohms ±10%)		80	
Ratings listed are for 25° C, sea level conditions			