

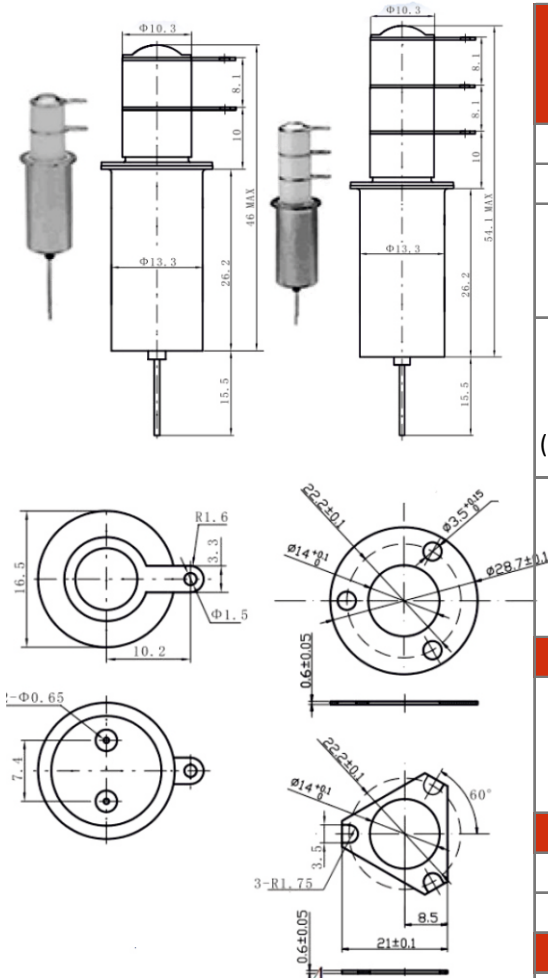
MEGAVAC

MGV46A/B/C series

High Voltage Relay

5 kV SPST-NO/NC, SPDT

- ◆ Compact design
- ◆ Short actuator, low profile
- ◆ Widely used in antenna coupler applications
- ◆ Vacuum dielectric for power switching low current loads.



Serial Number

MGV-46 A 3 3 4

Type

Contact Form:
A=SPST-NO
B=SPST-NC
C=SPDT

Mounting:
2 - Flanged
4 - Standard

HV contacts:
3 - Solder conn.

Coil Voltage:

2=12VDC (Wire)
3=26,5VDC (Wire)
4=115VDC (Wire)
5=12VDC (Turret Terminal)
6=26,5VDC (Turret Terminal)
7=115VDC (Turret Terminal)

Main parameters		Units	MGV46A	MGV46B	MGV46C
Contact Arrangement			SPST-NO	SPST-NC	SPDT
Contact form			A	B	C
Voltage, Test Max., Contacts & to Base (15 µA Leakage Max., dc or 60Hz)		kV Peak	6	6	6
Voltage, Operating Max., Contacts & to Base (15 µA Leakage Max.)	0-60Hz	kV Peak	5	5	5
	2,5 MHz	kV Peak	4,5	4,5	4,5
	16 MHz	kV Peak	3,5	3,5	3,5
	32 MHz	kV Peak	2,8	2,8	2,8
Current, Continuous Carry Max	0-60Hz	A	12	12	12
	2,5 MHz	A	10	10	10
	16 MHz	A	5	5	5
	32 MHz	A	3	3	3
Coil Hi-Pot (V RMS, 60Hz)		V	500	500	500
Capacitance	Across Open Cont.	pF	1,6	1,6	1,6
	Contacts to Ground	pF	2	2	2
Resistance, Contact Max @ 1A, 28 Vdc		ohms	0,05	0,05	0,05
Operate Time		ms	10	10	10
Release Time		ms	10	10	10
Temperature Ambient Operating		°C	-55 +125	-55 +125	-55 +125
Shock, Operating, 1/2 Sine 11ms (Peak)		g	50	50	50
Vibration, Operating, Sine (55-2000 Hz Peak)		g	10	10	10
Life, Mechanical		cycles	2 million	2 million	2 million
Weight, Nominal		g	22	22	35

Coil Ratings

Nominal, Volts dc	12	26,5	115
Pick-up, Volts dc, Max.	8	16	80
Drop-Out, Volts dc	0,5-5	1-10	5-50
Coil Resistance (Ohms ±10%)	230	920	4700

Ratings listed are for 25° C, sea level conditions