

# MEGA✓VAC

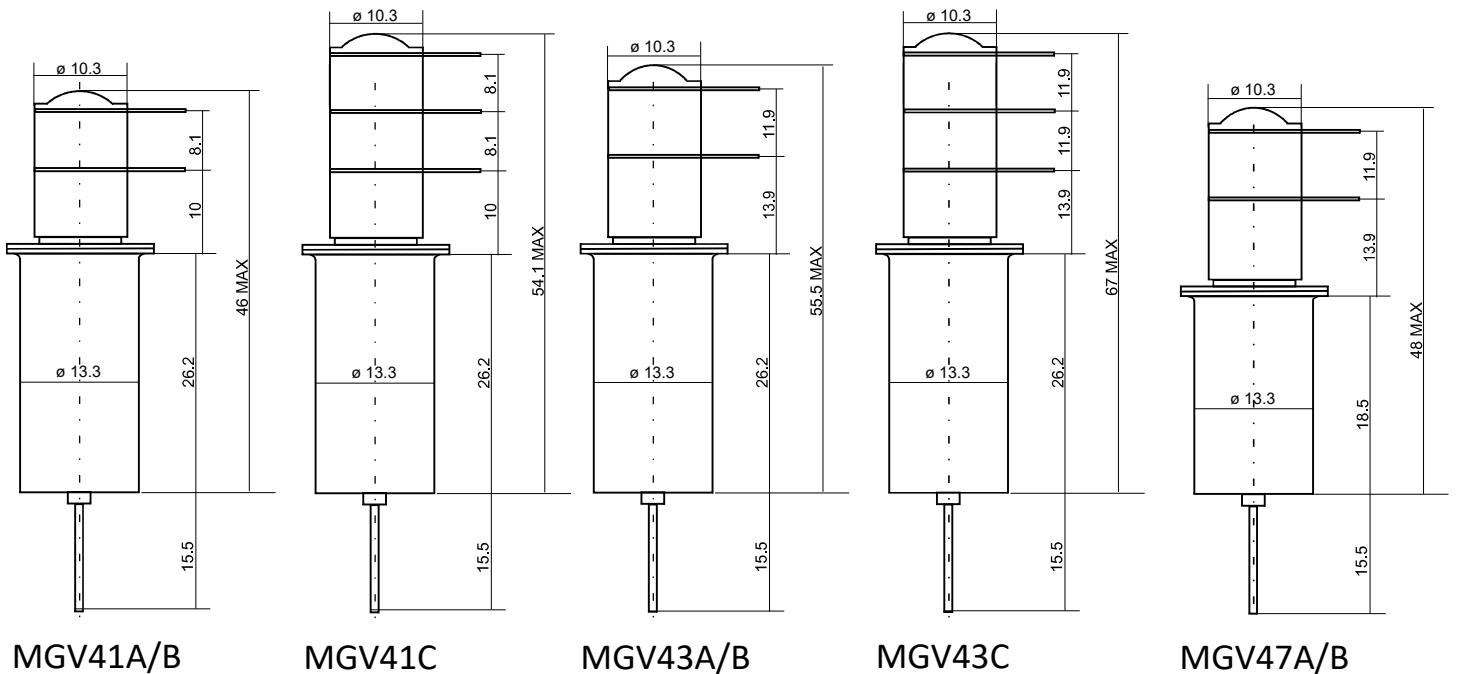
HIGH VOLTAGE CERAMIC RELAY



# 5-10 kV, SPST, SPDT

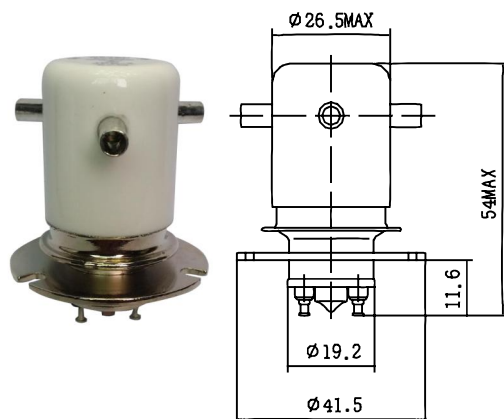
- ◆ Compact design
- ◆ Vacuum dielectric for power switching low current loads.
- ◆ Designed for antennas coupler applications
- ◆ Customization available

Model	Hot Load	Voltage, Operating Max., kV				Contact Arrangement	Resistance, Contact Max., Ohm	Weight, g	Cycles quantity
		Current, Continuous Carry Max., A							
		DC	2.5 MHz	16 MHz	32 MHz				
MGV41A	no	5	4,5	3,5	2,8	SPST-NO	20	28	1 million
		30	24	16	12				
MGV41B	no	5	4,5	3,5	2,8	SPST-NC	20	28	1 million
		30	24	16	12				
MGV41C	no	5	4,5	3,5	2,8	SPDT	20	28	1 million
		30	24	16	12				
MGV43A	no	10	7	6	4	SPST-NO	20	28	1 million
		25	20	13	10				
MGV43B	no	10	7	6	4	SPST-NC	20	28	1 million
		25	20	13	10				
MGV43C	no	10	7	6	4	SPDT	20	28	1 million
		25	20	13	10				
MGV47A	no	8	7,5	7	5	SPST-NO	20	28	1 million
		12	10	5	3				
MGV47B	no	8	7,5	7	5	SPST-NC	20	28	1 million
		12	10	5	3				

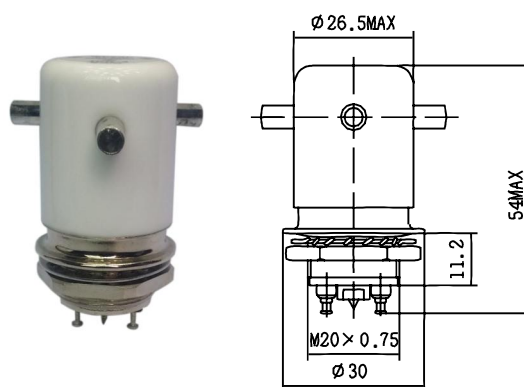


# 15 kV, SPDT

Model	Hot Load	Voltage, Operating Max., kV				Contact Arrangement	Resistance, Contact Max., Ohm	Weight, g	Cycles quantity
		Current, Continuous Carry Max., A							
		DC	2.5 MHz	16 MHz	32 MHz				
MGV2	no	15	12	9	7	SPDT	12	74	1 million
		50	30	17	10				
MGV8*	yes	15	12	9	7	SPDT	25	74	1 million
		30	18	10	6				



MGV2, MGV8 (flanged)

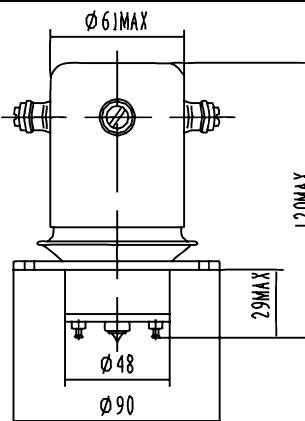


MGV2, MGV8 (through panel)

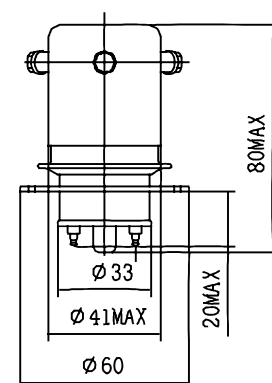
# 15-25 kV, SPDT

Model	Hot Load	Voltage, Operating Max., kV				Contact Arrangement	Resistance, Contact Max., Ohm	Weight, g	Cycles quantity
		Current, Continuous Carry Max., A							
		DC	2.5 MHz	16 MHz	32 MHz				
MGV6*	yes	25	-	-	-	SPDT	25	1100	1 million
		75	-	-	-				
MGV6A*	yes	25	18	12	-	SPDT	5	1100	1 million
		150	70	45	-				
MGV10	no	15	-	-	-	SPDT	25	290	1 million
		50	-	-	-				
MGV9	no	15	-	-	-	SPDT	10	290	1 million
		75	-	-	-				

- \*  
 ♦ Designed for hot load switching, have a tungsten contacts  
 ♦ Internal shield allows base to be grounded for load switching below 500 Vdc  
 ♦ Consult the manufacturer for possible load switching parameters.



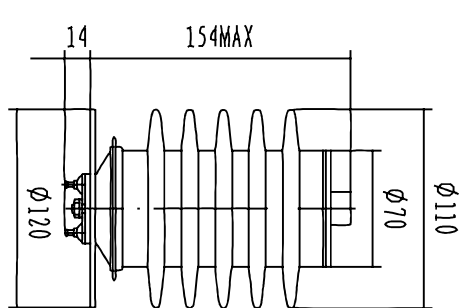
MGV6/6A  
(flanged/thread)



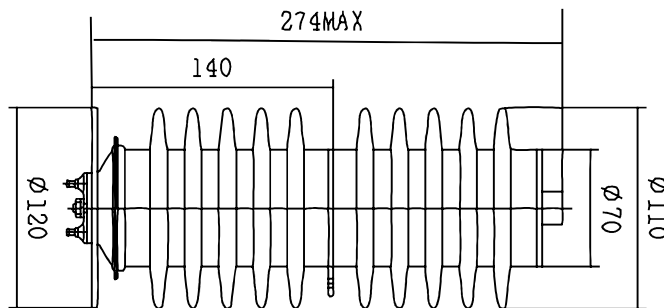
MGV9, MGV10  
(flanged/thread)

# 40-80 kV, SPST

Model	Hot Load	Voltage, Operating Max., kV				Contact Arrangement	Resistance, Contact Max., Ohm	Weight, g	Cycles quantity
		Current, Continuous Carry Max., A							
		DC	2.5 MHz	16 MHz	32 MHz				
MGV3/002	no	40	-	-	-	SPST-NC	20	2200	1 million
		14	-	-	-				
MGV4/003	no	40	-	-	-	SPST-no	20	3400	1 million
		14	-	-	-				
MGV5/004	no	80	-	-	-	SPST-NC	20	3400	1 million
		14	-	-	-				



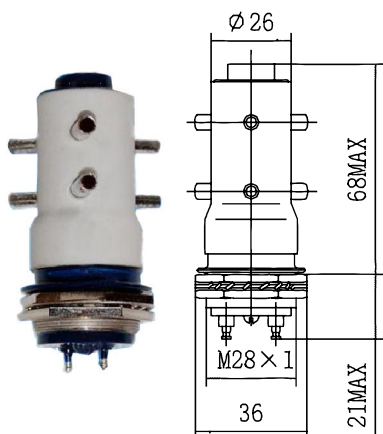
MGV3/4



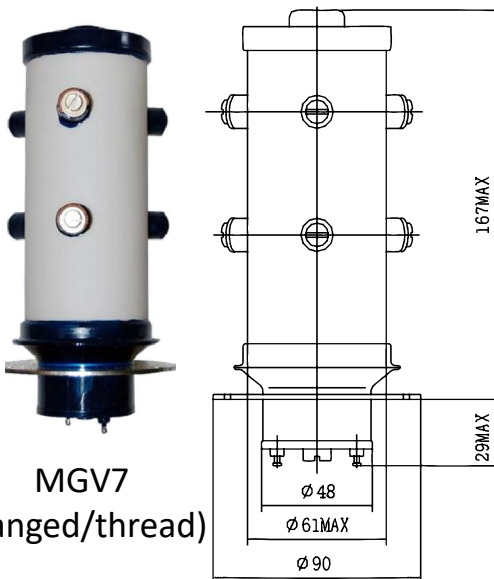
MGV5

# 15-25 kV, DPDT

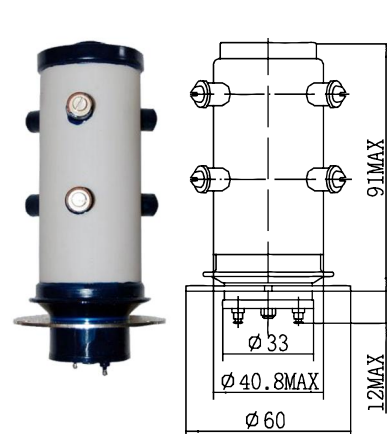
Model	Hot Load	Voltage, Operating Max., kV				Contact Arrangement	Resistance, Contact Max., Ohm	Weight, g	Cycles quantity
		Current, Continuous Carry Max., A							
		DC	2.5 MHz	16 MHz	32 MHz				
MGV7	no	20	15	10	-	DPDT	5	1400	1 million
		150	70	45	-				
MGV11	no	15	13	10	-	DPDT	10	380	1 million
		75	35	22	-				
MGV13	no	12	10	8	-	DPDT	12	170	1 million
		50	30	17,5	10				



MGV13  
(flanged/thread)



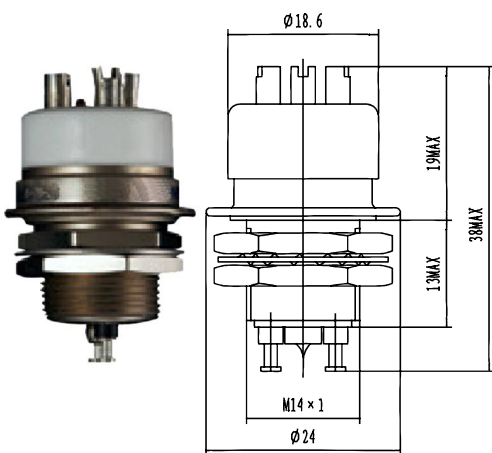
MGV7  
(flanged/thread)



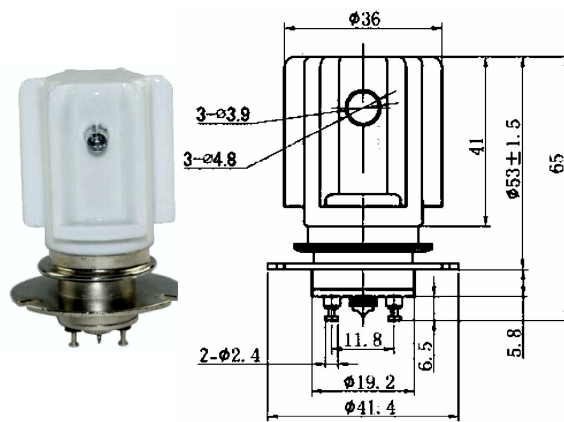
MGV11  
(flanged/thread)

## 3,5 15-25 kV, SPDT

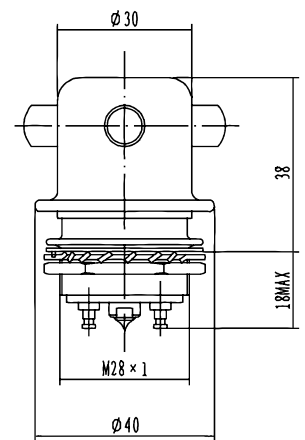
Model	Hot Load	Voltage, Operating Max., kV				Contact Arrangement	Resistance, Contact Max., Ohm	Weight, g	Cycles quantity
		Current, Continuous Carry Max., A							
		DC	2.5 MHz	16 MHz	32 MHz				
MGVH1	no	3,5	2,5	2	1,5	SPDT	12	30	1 million
		25	14	9	7				
MGVH3	yes	3,5	-	-	-	SPDT	25	30	1 million
		18	-	-	-				
MGVH5	only make	3,5	-	-	-	SPDT	50	30	1 million
		8	-	-	-				
MGV33	no	15	-	-	-	SPDT	8	136	1 million
		80	-	-	-				
MGV25	yes	25	-	-	-	SPDT	50	110	1 million
		30	-	-	-				



MGVH1/3/5



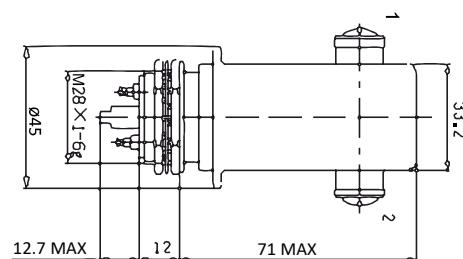
MGV25



MGV33

## 25 kV, SPST

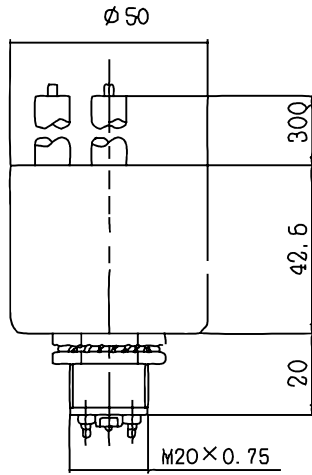
Model	Hot Load	Voltage, Operating Max., kV				Contact Arrangement	Resistance, Contact Max., Ohm	Weight, g	Cycles quantity
		Current, Continuous Carry Max., A							
		DC	2.5 MHz	16 MHz	32 MHz				
MGV20A	no	28	22	12	10	SPST-no	5	30	2 million
		110	60	40	30				
MGV20B	no	25	22	10	9	SPST-NC	10	30	2 million
		55	30	20	15				



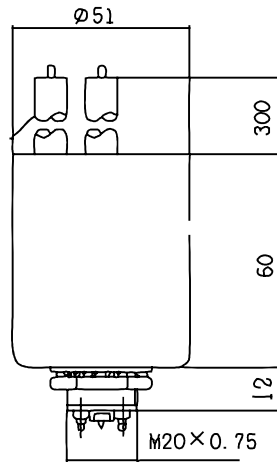
MGV20A/B

# 25-30 kV, SPST, SPDT

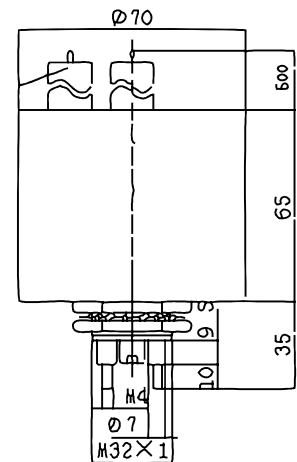
Model	Hot Load	Voltage, Operating Max., kV				Contact Arrangement	Resistance, Contact Max., Ohm	Weight, g	Cycles quantity
		Current, Continuous Carry Max., A							
		DC	2.5 MHz	16 MHz	32 MHz				
MGV31/065A	no	25	-	-	-	SPST-NC	50	280	1 million
		20	-	-	-				
MGV31/065B	no	25	-	-	-	SPST-no	50	280	1 million
		20	-	-	-				
MGV31/067A	no	30	-	-	-	SPST-NC	50	520	1 million
		40	-	-	-				



MGV31/065A

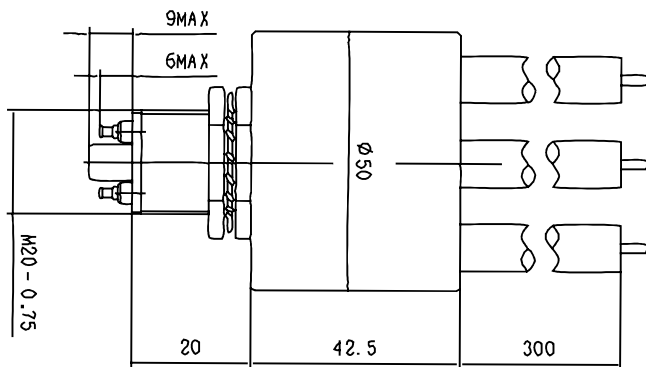


MGV31/065B

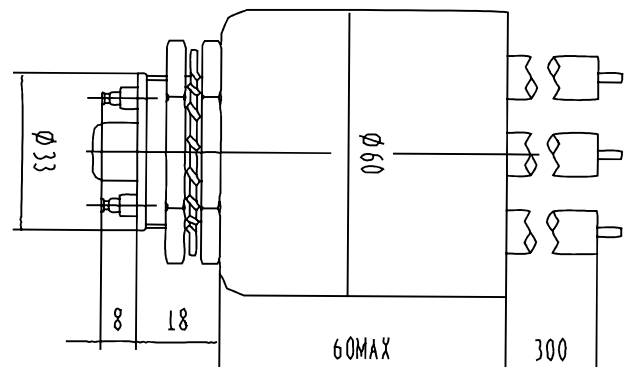


MGV31/067A

Model	Hot Load	Voltage, Operating Max., kV				Contact Arrangement	Resistance, Contact Max., Ohm	Weight, g	Cycles quantity
		Current, Continuous Carry Max., A							
		DC	2.5 MHz	16 MHz	32 MHz				
MGV31/065	no	25	-	-	-	SPDT	50	280	1 million
		20	-	-	-				
MGV31/067	no	30	-	-	-	SPDT	50	520	1 million
		40	-	-	-				



MGV31/065



MGV31/067

# Coils ratings

Model	Nominal, Volts dc	Pick-up, Volts dc, Max.	Drop-Out, Volts dc	Coil Resistance (Ohms $\pm 10\%$ )
MGV2, MGV8	220	150	10	10000
	110	70	2	5400
	26,5/27	16	1,5	250
	24	16	1,5	180
	12	8	0,5	48
MGV7	24	16	1	60
MGV11	27	16	1	240
MGV13	27	16	1	285
MGV6, MGV6A	24	16	1	60
MGV10	24	16	3,5	190
MGV9	24	16	3,5	190
MGV31/065, MGV31/067	27	18	1,5	125
	12	9	1	30
	80	52	10	1200
	24	16	1	190
MGV31/065A, MGV31/065B, MGV31/067A	27	18	1,5	125
	12	9	1	30
	80	52	10	1200
	24	16	1	190
MGV41A, MGV41B, MGV41C,	26,5	16	1	920
	12	8	1	230
MGV43A, MGV43B, MGV43C, MGV47A,	26,5	16	1	920
	12	8	1	230
MGV47A, MGV47B	26,5	16	1	920
	12	8	1	230
MGVH1, MGVH3, MGVH5	26,5	16	1	335
	24	16	1	180
MGV33	26,5	16	1	335
	24	16	1	180
MGV25	26,5	16	1	335
	24	16	1	180
MGV20A, MGV20B	24	16	1-10	120
MGV3/002, MGV4/003, MGV5/004	24	17	1	120
Values given for a 25C				

# Notes

---